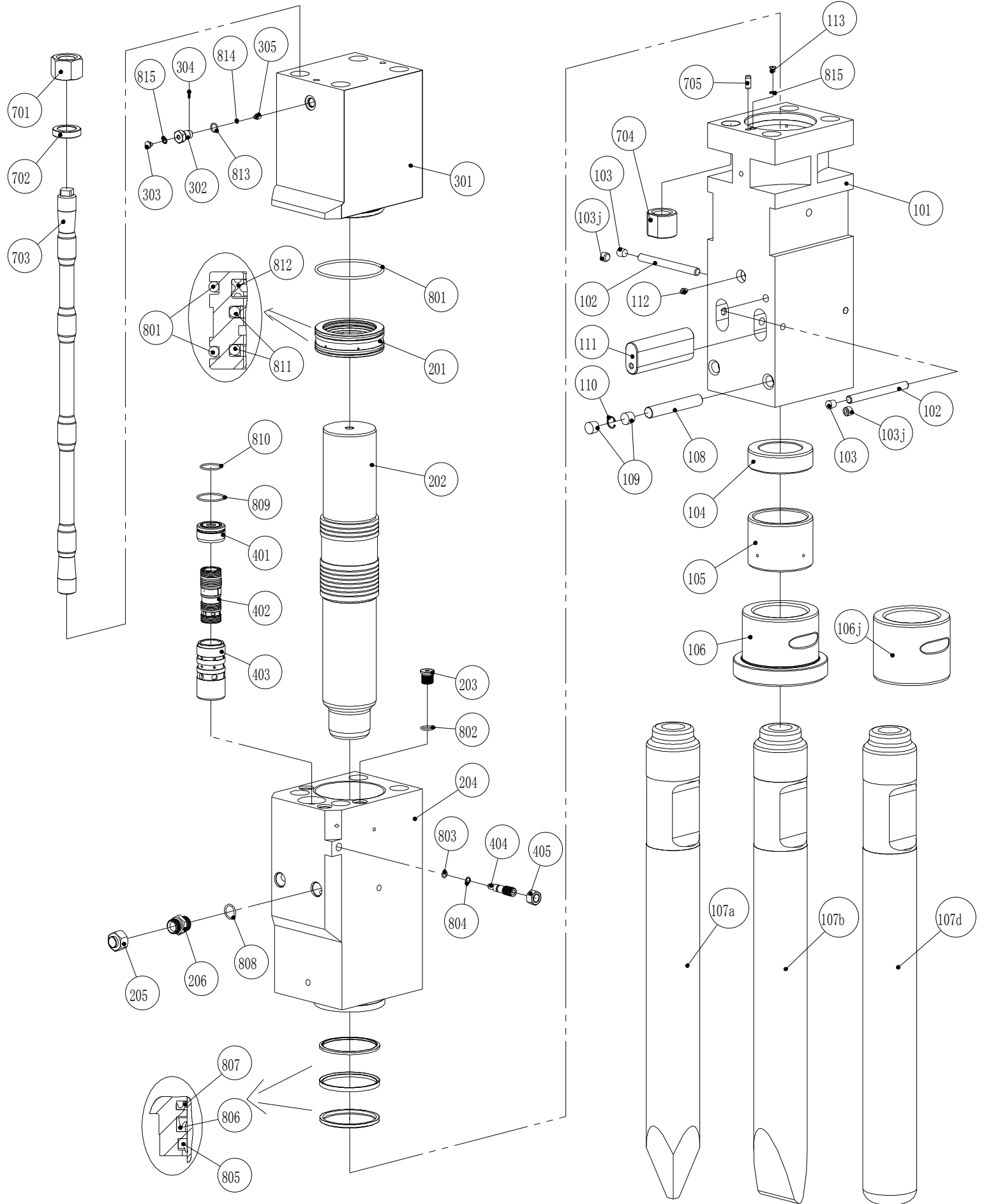


GT75 MAIN BODY



GT-SERIES SILENCE HYDRAULIC BREAKERS

MODEL:GT75

NO.	DRAWING NO.	PART NAME	QTY.	REMARKS
101	GT75A1-01-03Z	FRONT HEAD	1	
102	GT75A1-01-07	STOP PIN/THRUST PIN	3	φ 17.5×190
103	GT60C-01-07	RUBBER PLUG	3	
103j	GB/T77-2000	SCREW	3	M20×15
104	GT75A1-01-05	THRUST RING	1	
105	GT75A1-01-04	THRUST PIN	1	
106	GT75A1-01-02	TOOL BUSH	1	
106j	GT75A1-01-02 (J)	TOOL BUSH (S-TYPE)	1	
107a	GT75A1-01-01	MOIL POINT TOOL	1	φ 125×1130
107b	GT75A1-01-01	CHISEL TOOL(H-WEDGE)	1	φ 125×1130
107d	GT75A1-01-01	BLUNT TOOL	1	φ 125×1130
108	GT75A1-01-08	BUSH PIN	2	φ 26×166
109	GT60C-01-04	RUBBER PLUG	4	
110	GB/T893. 1-1986	SPRING STOPPER RING	2	26
111	GT75A1-01-06	TOOL PIN	2	
112	GB/T7940. 1-1995	GREASE NIPPLE	1	M10×1
113	JB/ZQ4444-97	SOCKET PLUG	1	M10×1 非自动润滑用
201	GT75A1-02-03	SEAL HOUSING	1	
202	GT75A1-02-01	PISTON	1	
203	GT75A1-02-06	SOCKET PLUG	3	G3/4"
204	GT75A1-02-02	CYLINDER	1	
205	G1" [G 型]	IN/OUT CAP	2	
206	G1" [O 圈]-G1" (60 °)	IN/OUT CONNECTOR	2	
301	GT75A1-03-01	BACK HEAD	1	
302	GT80A1-03-04-02	GAS CHARGING SEAT	1	
303	JB/ZQ4444-97	SOCKET PLUG	1	M10×1
304	GB/T78-2000	SCREW	1	M3×16
305	GT80A1-03-04-03	GAS CHARGING CORE	1	
401	GT75A1-04-03	VALVE COVER	1	
402	GT75A1-04-02	VALVE CORE	1	

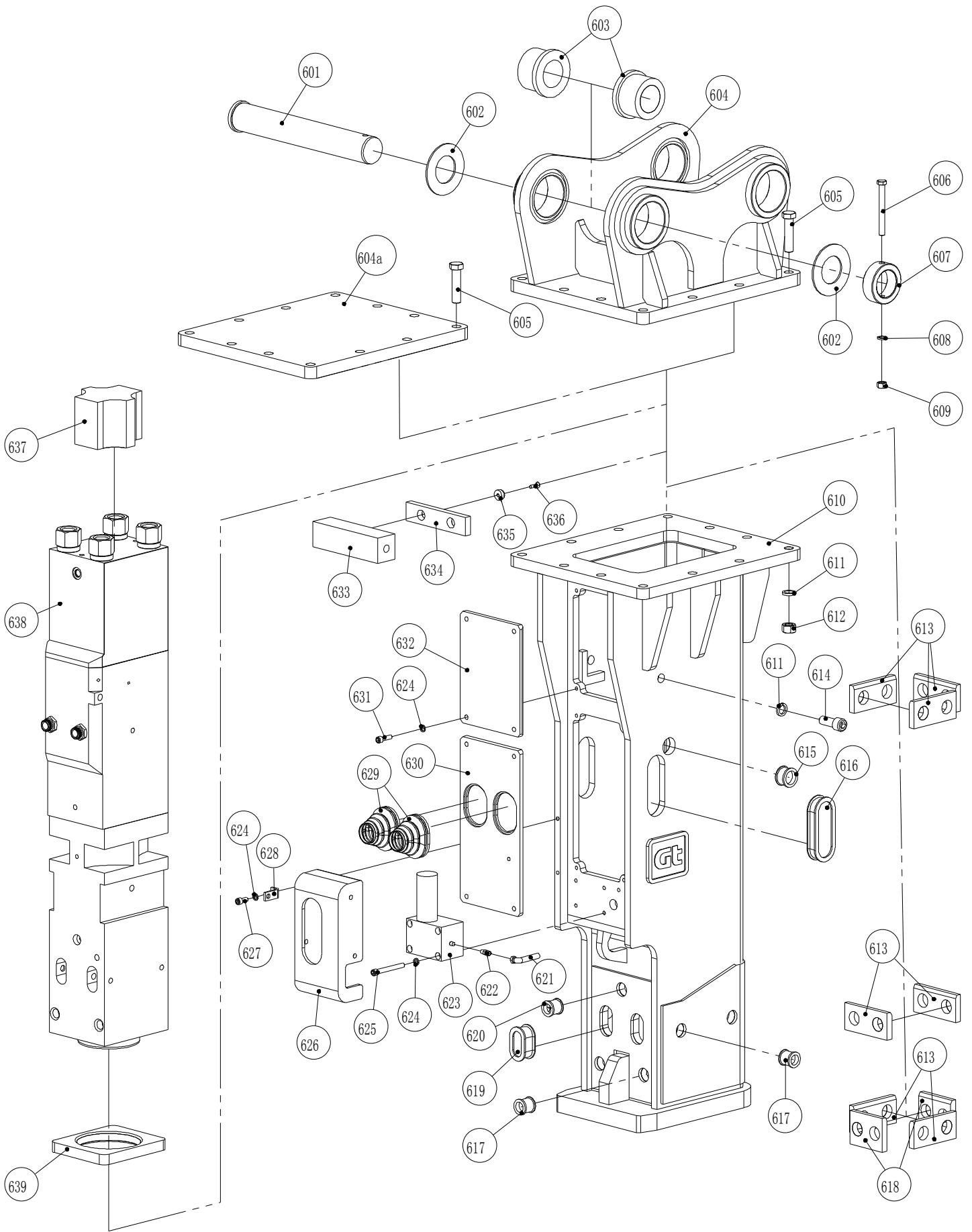
GIANT HYDRAULIC TECHCO., LTD.

WWW.GIANTCHINA.COM



NO.	DRAWING NO.	PART NAME	QTY.	REMARKS
403	GT75A1-04-01	VALVE SLEEVE	1	
404	GT75A1-04-04	VALVE ADJUSTOR	1	M20×1.5
405	GB/6171-2000	NUT	1	M20×1.5
701	GT80A1-00-09	THROUGH BOLT NUT	4	M42
702	GT80A1-00-10	THROUGH BOLT WASHER	4	42
703	GT80A1-00-08	THROUGH BOLT	4	M42×968
704	GT80A1-00-11	NUT	4	M42×4
705	GT70A1-00-05	GUIDE PIN	1	φ 12.5×30
801	JIS B 2401	O RING	3	G150
802	JIS B 2401	O RING	3	P24
803	JIS B 2401	O RING	1	P12
804	JIS B 2407	STOPPER RING	1	P12
805	DSI120×138×7×9.5	DUSTPROOF RING	1	φ 120×138×7×9.5
806	IDI125×140×10	U -PACKING	1	φ 125×140×10
807	HBV125×140.5×6	BUFFER RING	1	φ 125×140.5×6
808	JIS B 2401	O RING	2	P29
809	JIS B 2401	O RING	1	G60
810	JIS B 2401	O RING	1	G45
811	SNPS123.5×139×5.9	STEP RING	2	φ 123.5×139×5.9
812	IKH123.5×136.3×9.5	AIR SEAL	1	φ 123.5×136.3×9.5
813	JIS B 2401	O RING	1	P18
814	JIS B 2401	O RING	1	P4
815	JB982-77	WASHER	2	10

GT75 BRACKET



GT-SERIES SILENCE HYDRAULIC BREAKERS

MODEL:GT75S

NO.	DRAWING NO.	PART NAME	QTY.	REMARKS
601	GT-SERIES (PARTS COMMON)	MOUNTING PIN	2	
602	GT-SERIES (PARTS COMMON)	MOUNTING PIN WASHER	4	
603	GT70-200 (PARTS COMMON)	MOUNTING PIN BUSH	4	
604	GT70-06F-02-00	CONNECTOR PLATE	1	
604a	GT70-06F-02-00	TOP PLATE	1	PARTS 1
605	GB/T5785-2000	BOLT	12	M24×2×100
606	GT/T5782-2000	BOLT	2	M16×150
607	GT70-200 (PARTS COMMON)	MOUNTING PIN STOPPER	2	
608	GB/T93-1987	SPRING WASHER	2	16
609	GB/T6170-2000	NUT	2	M16
610	GT75-06F-01-00Z	BRACKET	1	
611	GT/T93-1987	SPRING WASHER	14	24
612	GB/T6171-2000	NUT	12	M24×2
613	GT70-06F-05	BUFFER PAD 3	7	
614	GB/T70. 1-2000	SCREW	2	M24×2×60
615	Φ 50×25	PLUG	1	Φ 50×25
616	R35×110×23	PLUG	2	R35×110×23
617	Φ 40×33	PLUG	10	Φ 40×33
618	GT75-06F-03	BUFFER PAD 2	2	
619	R25×40×33	PLUG	2	R25×40×33
620	Φ 40×33 (h)	PLUG	1	
621	G6 I /G1/4"-400	胶管总成	1	
622	ZG1/4"-G1/4" (60°)	CONNECTOR	1	
623	GT-SERIES (PARTS COMMON)	HYDRAULIC OPERATED LUBRICATION PUMP	1	
624	GB/T93-1987	SPRING WASHER	20	12
625	GB/T70. 1-2000	SCREW	4	M12×110
626	GT75-06F-08Z	保护罩	1	
627	GB/T70. 1-2000	SCREW	6	M12×25
628	GT-SERIES (PARTS COMMON)	固定板	3	
629	GT80-06F-10-02	HOSE GUIDE	2	
630	GT75-06F-04Z	COVER PLATE 1	1	
631	GB/T70. 1-2000	SCREW	8	M12×40
632	GT75-06F-06	COVER PLATE 2	1	

Part List/GT75

NO.	DRAWING NO.	PART NAME	QTY.	REMARKS
633	GT75-06F-05-01	PLATE	1	
634	GT80-06F-09-02	BUFFER PAD	1	
635	GT160-02F-03-03	PLATE STOPPER RING	2	
636	GB/T68-2000	SCREW	2	M8×30
637	GT75-06F-07	BUFFER PAD 3	1	
638	GT75A1-00	GT75 MIAN BODY	1	
639	GT75-06F-02	BUFFER PAD 1	1	

GIANT HYDRAULIC TECH CO., LTD.
WWW.GIANTCHINA.COM